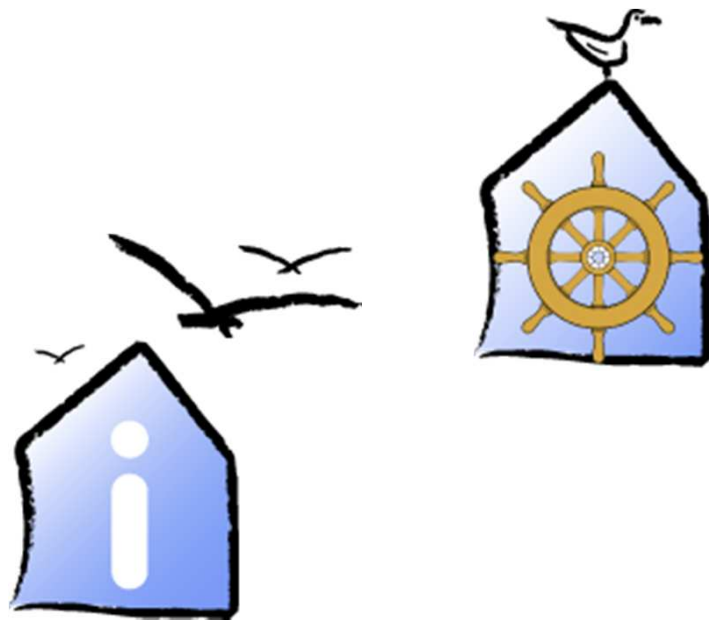




Ministerie van Infrastructuur en Milieu
Ministerie van Economische Zaken



Dutch developments on Marine Datamanagement

Dennis van
Schaardenburg
15 October 2013



With this presentation

- Give you the current developments in the Netherlands
- Information about the Information House Marine
- Appoint the advantages and.....
- the challenges





Situation on the Dutch North Sea

- **Integration of responsibilities**
 - From four competent authorities to two (ministry of IenM and EZ)
 - From 17 different laws (before 2010) to four maybe three laws
- **Result:**
 - More integration in policy and implementation
 - Improved cooperation



Two responsible Ministries

Ministry of Infrastructure & the Environment:

- responsible for a healthy seabed, good water, good fairways and safe shipping and adequate coastal defense;
- coordinating manager of the North Sea;
- responsible for providing information to the European Commission for the Marine Strategy framework Directive.



Two responsible Ministries

Ministry of Economic Affairs:

Administrator of nature in the North Sea and the competent authority for fisheries and oil and gaswinning the North Sea.

Responsible for:

- energy, exploitation of wind energy in the North Sea and the extraction of oil and gas;**
- nature and fisheries in the North Sea;**
- supply information to European Commission about Natura 2000 sites at sea and in the coastal zone.**



Monitoring

Take place by several institutes, most important for policy making:

- Rijkswaterstaat (before RIKZ)
- IMARES, Institute for Marine Resources & Ecosystems Studies
- Ministry of Defense



Results of monitoring

- **Lots of information**
- **Input for policy**
- **Input for management**
- **Information for public, trade and industry**

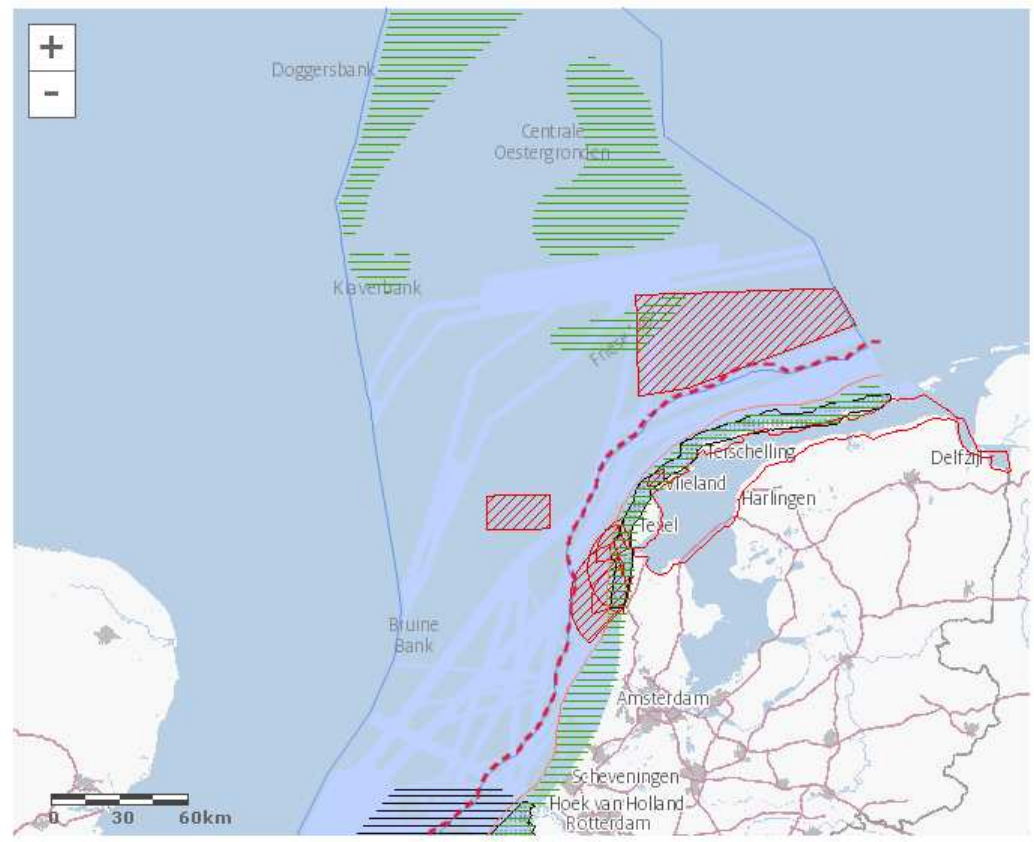


For Example:

- **Het Noordzeeloket: Information about policy of the North Sea;**
- **De Noordzee-atlas: Data-based maps**



- PKB Nota Ruimte**
- Doorgaande NAP -20 lijn
 - 12 nautische mijlszone
 - Nederlandse Exclusieve Economische zone
 - NZ_NZA_PKBnotaRuimte
indic_gebied_ecol_waarde
 - PKB-gebied waddenzee
 - Vogel- en Habitatrichtlijn gebieden (Noordzee)
 - Reserveringsgebied beton en metselzand
 - Defensie-restrictiegebieden
 - Scheepvaartroutes (incl. aanloop- en ankergebieden)
- > Kaart index





Biomassa macrobenthos - Windows Internet Explorer provided by Rijkswaterstaat

http://www.noordzeaatlas.nl/Kaart/Biomassa_macroben...
File Edit View Favorites Tools Help

Biomassa macrobenthos

Biomassa macrobenthos

Grenzen NCP

Biomassa macrobenthos (g AFDW/m²)

- 0 - 2
- 2 - 8
- 8 - 19
- 19 - 428

> Kaart index

Done

Start Postvak IN - ... Microsoft Po... AGENDA_Sta... Document3 -... Document4 -... Noordzeaat... About Us - H... De PKB Nota ... Biomassa ... 11:59

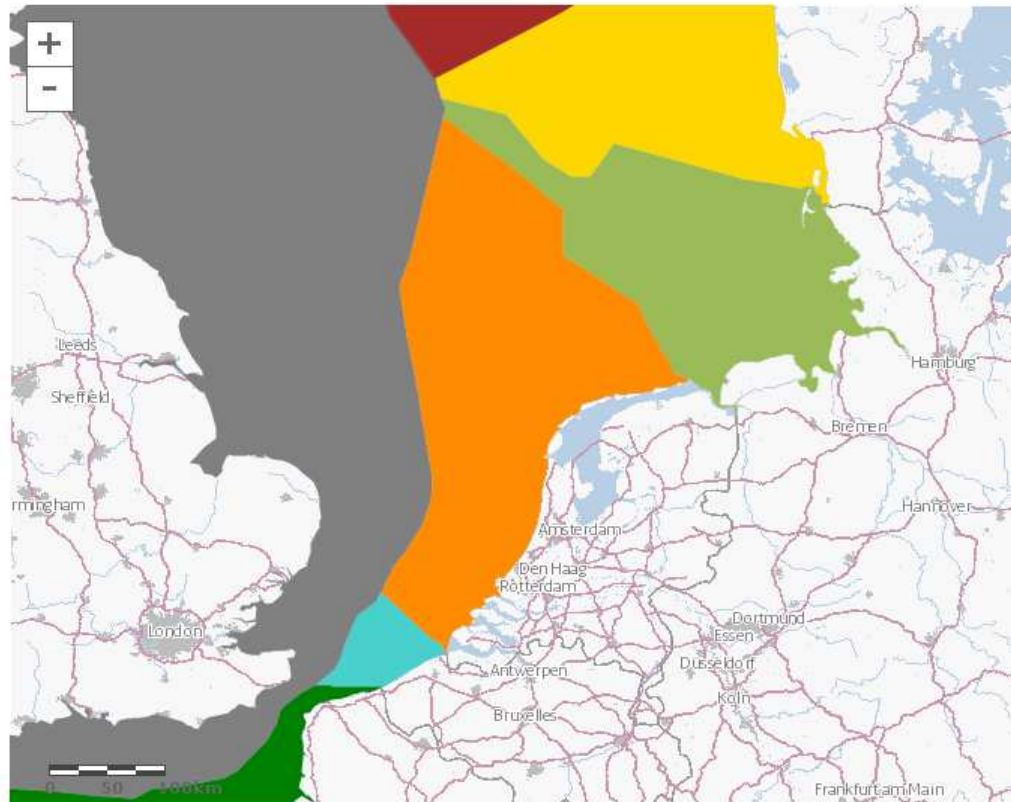
Ministeries: I&M, EL&I, DEF



Verdeling Continentaal Plat

Continentaal Plat

- Belgium
- Denmark
- France
- Germany
- Great Britain
- Norway
- the Netherlands



> Kaart index



Is that enough?– No!

- Increasing spatial pressures on the North Sea will result in an increasing demand for data and information
- Budgets will be reduced
- Better data & information availability and accessibility will result:
 - in a reduction of stakeholder monitoring efforts;
 - in a faster anticipation on (EU) policy issues and monitoring requirements.



Our Ambition

1. Data collected by Government freely accessible for the professional user (multiple used)
2. Data storage will stay at the source
3. Budgetary neutral (5 year period)
4. Based on the established (inter)national standards and initiatives

Starting an Information House Marine



What is the Information House Marine going to do?

- **Ful availability of physical, chemical and biological data collections**
- **Protocol Marine Data**
- **Make a monitoring agenda**
- **Arrange the process of the Marine Strategy framework Directive-reporting**



Availability of Data; Explore the established initiatives

- **National:**
 - National Oceanographic Data Committee of the Netherlands;
 - Datamanagement Marine projects;
 - Information House Water.
- **International:**
 - Compatibility with International initiatives;
 - Learn from the neighbours

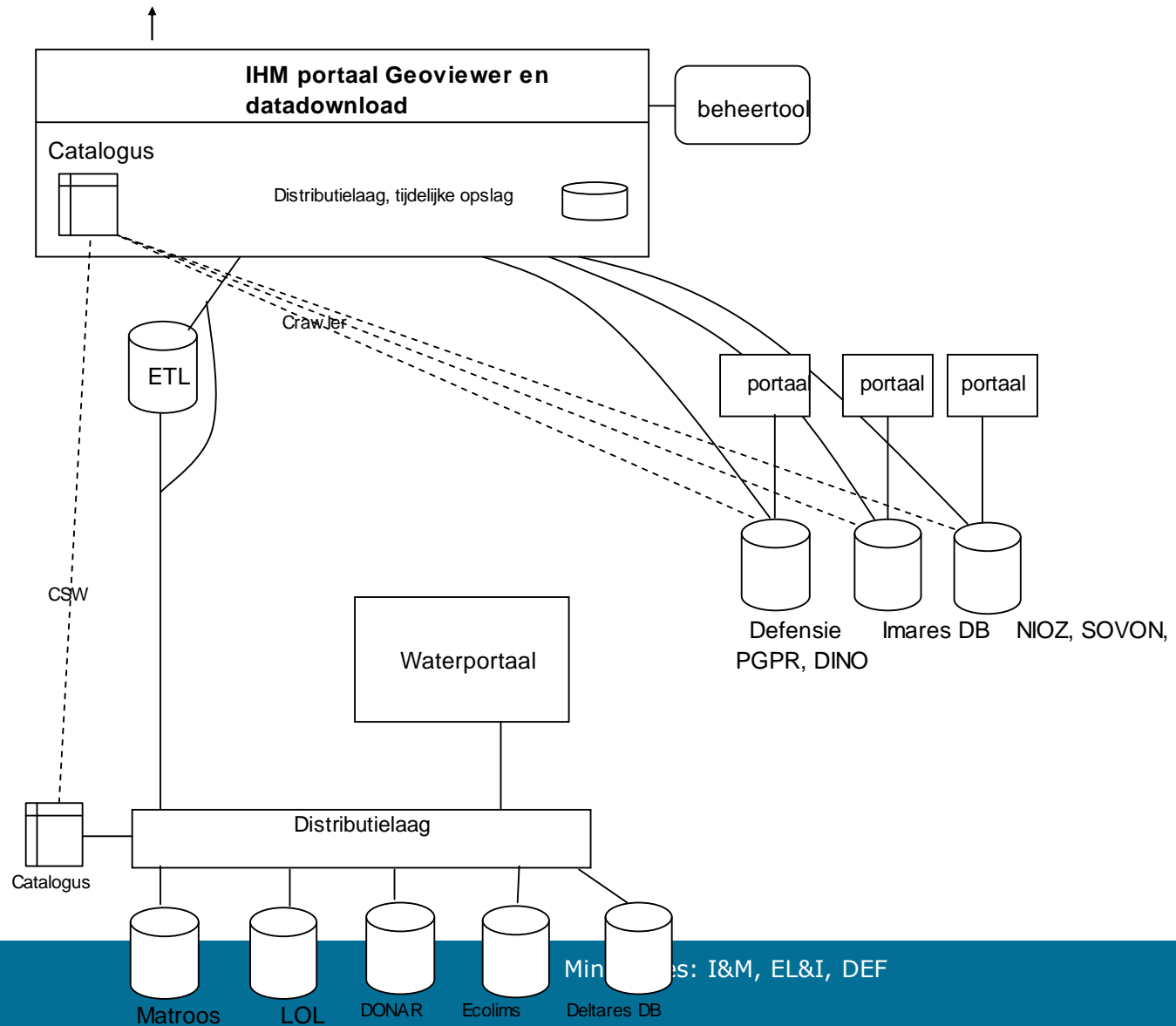


Availability of Data; who are the main users?

- **Lots of initiatives are ‘supply’-driven?**
- **Probable users are diverse; government, institutes and industry.**
- **We investigate the needs and wishes of the different users.**



uitlevering SDN tbv EMODNET, OSPAR, TMAP, WISE, etc



Ministeries: I&M, EL&I, DEF



Protocol Marine Data

- **Agreements about:**
 - **Technical aspects**
 - **Semantic**
 - **Organisation aspects (who,what,when)**
- **Before the end of 2013 Ministries and Imares en Deltares will start to use this protocol**
- **In the future we strive for cooperation with other (Inter)national partners**



Challenges!

- **Technical? No, maybe about data will stay at the source;**
- **Accessibility? Some Data have to get better metadata. Soluble!**
- **Compatibility???**



Compatibility and.....

- **A lot of (inter)national initiatives with their own standards;**
- **For example National: NODC with SEADATANET, IHW with AQUO;**
- **International also a lot of initiatives and projects are parallel.**



Cooperation could be the solution

- **Of course there is a lot of cooperation; like OSPAR, HELCOM, overhere.**
- **Directives as INSPIRE/ MSFD will help**
- **also initiatives as EMODnet will help to come to more compatibility;**
- **Towards a joint monitoring program for the North sea.**

- **Information House Marine will contribute to a further cooperation**
 - **National**
 - **International**
 - **Full availability of marine data collections**



Thank you for your attention

Information House Marine

www.informatiehuismarien.nl

informatiehuismarien@rws.nl